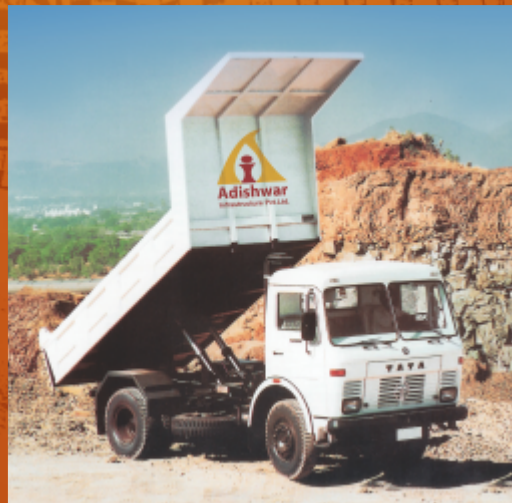


Constructing Sustainable Future



About Us

Adishwar Infrastructure Pvt Ltd. is a leading construction company empowering construction projects across diverse segments of infrastructure industry. We serve prestigious government, industrial, institutional and private clients across Gujarat. Our experts also provide allied services to strengthen and construct world-class infrastructure in the state.

Our journey began in the year 2008 with trading in ceramic tiles for the first three years of operations. Strategically the operations were taken over by a new team of directors in July 2012, who actively launched Ready Mix Concrete plant for captive use and commercial sales in Ahmedabad. Thereafter company has entered into various fields turnkey construction projects in Government, Private & Industrial sectors, Precast Concrete Products such as Paver Blocks & Kerbs and Construction Machineries on rent.

Our simple and transparent business ethics have built a rock-solid reputation for us in the construction industry.

Expertise We Bring



Customer Centric Approach



Excellence in Execution



On-time Delivery



High Responsiveness



24x7 Customer Service



Fully Operational Backward Integration

PROJECTS WE EMPOWER



Government Projects

Infrastructure & Government Projects



Industrial Projects



Construction Machineries on Rent

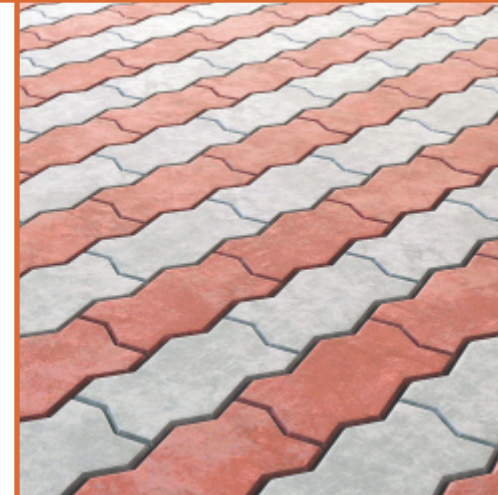


Private Projects



Ready Mix Concrete Plant

(Captive Use & Commercial Sales)



Precast Concrete Products

(Captive Use & Commercial Sales)



Paver Blocks

Kerbs

Team

We have a team of dynamic individuals with international expertise and know-how along with almost a decade of experience in the construction business.

Mr. Ankit R. Shah

B. Tech (Civil), M.S. (Construction Management), U.S.A

Mr. Chintan J. Patel

B.E. (Civil), M.S. (Technology Management), U.S.A

Mr. Rajan Vyas

B.Tech (Civil)

Mr. Suresh Desai

M.B.A (Finance)

Vision

Establish standards in construction industry with commitment, quality and timely completion of construction projects achieving highest levels of customer satisfaction.

Mission

- To set benchmark in construction industry for residential, commercial and infrastructure projects by optimum utilisation of resources.
- To facilitate better living and infrastructural solutions that are innovative, affordable and sustainable.
- Fulfil our commitments with utmost care to maintain and give our customers exceptional experience in infrastructure.
- To be a trend setter in innovative management practices across premium infrastructure space.
- Establish a robust team of professionals and experts to form a determined corporate culture. Also, ensure a vigorous creative work atmosphere.
- To enhance and fortify quality, speed, safety, innovation and technology across organisation's business ventures.

Strengthening Public & Private Infrastructure

Ready Mix Concrete Plant

Captive Use & Commercial Sales

Our state-of-the-art RMC plant is strategically located near Vaishnodevi Circle, Sarkhej - Gandhinagar Highway, Ahmedabad to cater to construction and development requirement across Ahmedabad and beyond. We provide RMC manufactured specifically for delivery to the customer's construction site. We supply custom-made RMC to suit different applications and also produce concrete of grade of M7.5, M10, M15, M20, M25, M30, M40, M50 & above.

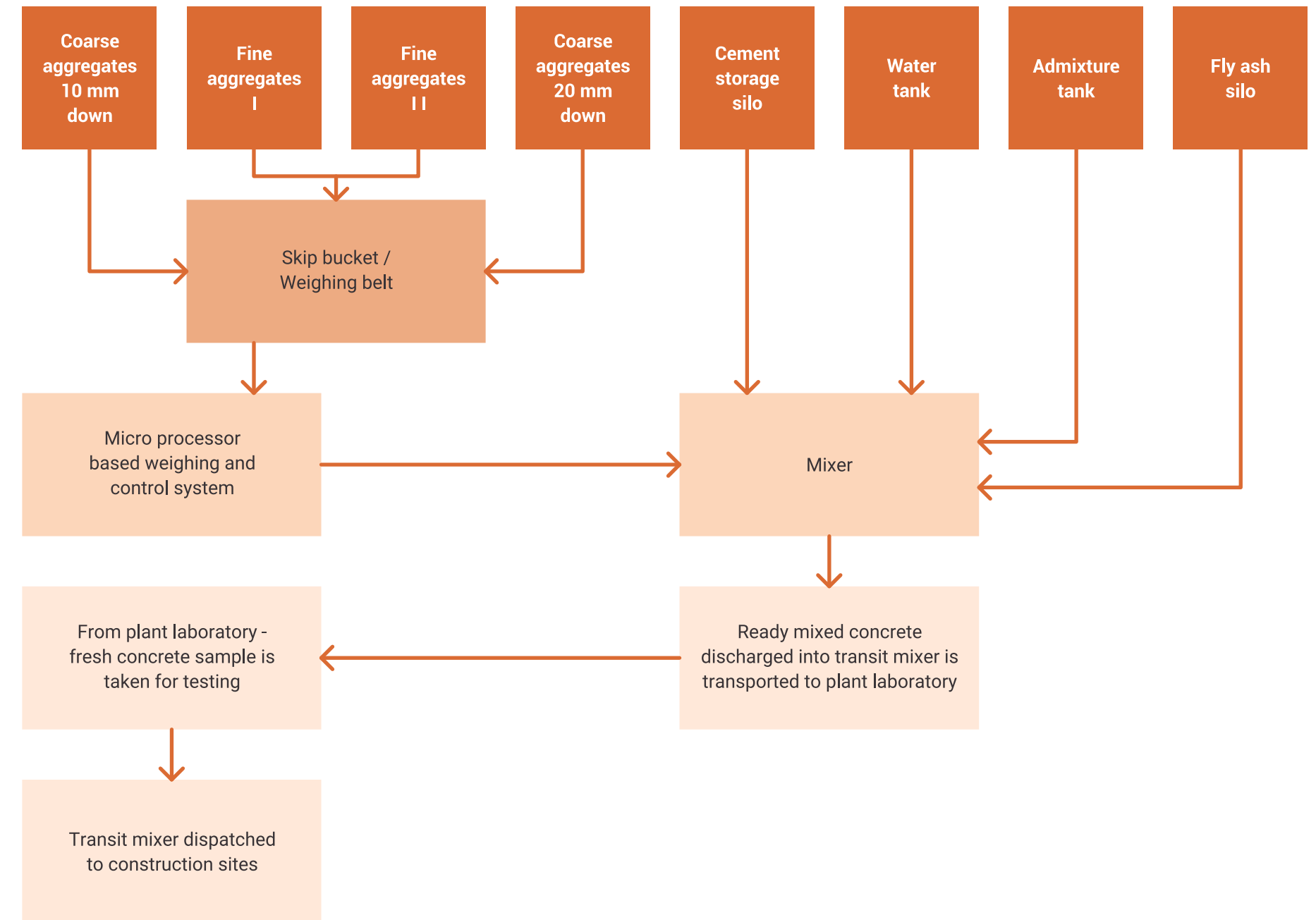
Our Edge

- **Superior Quality** - Custom made material with supervised mixing of quality material resulting in better quality.
- **Saves Your Money** - Storage of aggregates, sand and cement in large quantities at construction site is not required resulting in lesser wastage and makes your team worry free.
- **Saves Your Time** - Precious working hours of your employees are saved from handling and keeping track of inward of all required material such as aggregates, sand and cement received from various suppliers.
- **Less Pollution** - Noise and air pollution at site gets reduced.



Strategic Location near Vaishnodevi Circle, Ahmedabad

RMC Making Process You Can Rely On



List of Machineries

Sr. No.	Vehicle Details	Make & Model	Quantity
1	Cement Bulker	Mahindra, BharatBenz and Tata	3 Nos.
2	Tipper	Ashok Leyland, Eicher, Tata and AMW	5 Nos.
3	Tata - 709	Tata	3 Nos.
4	Transit Mixer	Ashok Leyland and Mahindra	9 Nos.
5	Diesel Generator	Greeves	1 No.
6	Pump	Schwing Stetter and Putzmeister	3 Nos.
7	JCB	Case	1 No.
8	Loader	John Deere	1 No.

Raw Material Details

Sr. No.	Raw Material	Source
1	10 mm , 20 mm	Sewaliya , Vadagam, Sathamba
2	Cement	Ultratech, J K Laxmi, Gujarat Siddhi, Sanghi, Ambuja Cement
3	Fly Ash	Gandhinagar, Wanakbori
4	Sand	Kamboi- Patan (Zone - II)
5	Admixture	Ahmedabad



Paving Way to Success

PRECAST PLANT (CONCRETE PRODUCTS)

Captive Use & Commercial Sales

Paver Block

We started our paver block plant in March 2018 and in a short period of time, we have achieved a huge demand and clientele to serve. Paver blocks makes the space beautiful. They are mostly used for exterior pavement applications. It is a great material for residential and commercial application that lasts long. They are highly durable and can withstand any type of vehicle load and pedestrian traffic with low maintenance.

Available in different sizes, shapes, colours, textures and patterns for you to choose from.

Our Advantage

- We manufacture 60 mm rubber mould paver blocks of all kinds of shapes
- Majorly "I" Shape and "Unipavers"
- We manufacture Kerb Stones of 75 mm thickness and 150 mm thickness
- Till today, we have supplied around 5 lakh sq. ft. of paver blocks



Kerbs

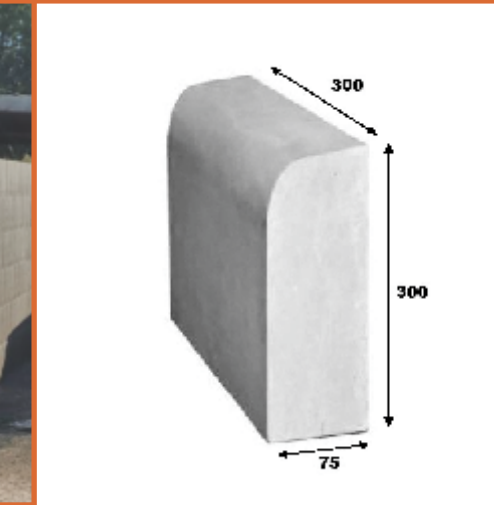
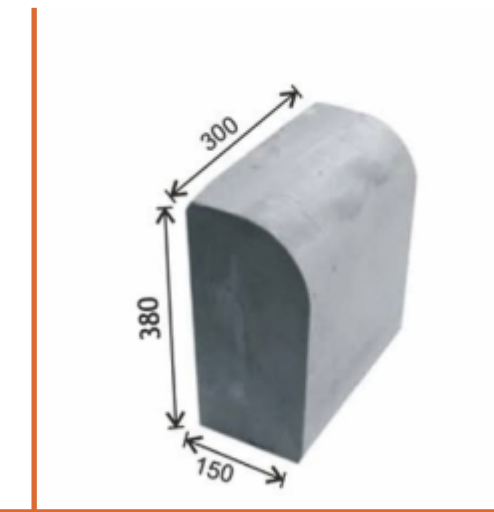
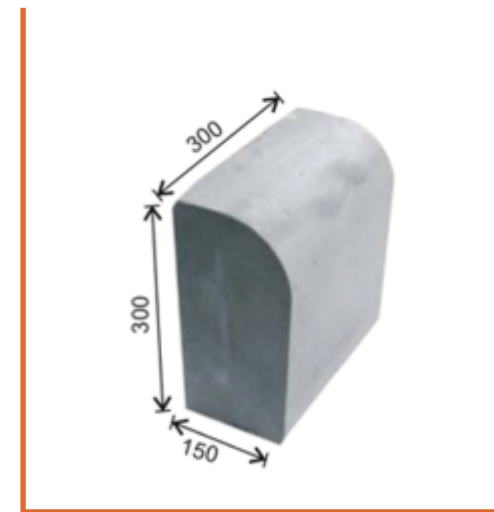
Adishwar Infrastructure Pvt. Ltd. offers an extensive range of Kerb inlet solutions for roadside entry points. The range is designed to suit all modern Kerb, with a number of standard lengths available. AIPL provide a wide range of high quality precast concrete Kerb solutions that help reduce installation times, including one piece Kerb inlet arrangement, with hinged grates cast into the unit.

Currently, we supply different size of Kerbs such as,

1. 300mm x 75mm x 300mm
2. 300mm x 150mm x 380mm
3. 300mm x 150mm x 300mm

Hydraulic Press Machine

We have Hydraulic Press Machine to manufacture the Kerbs of different size.



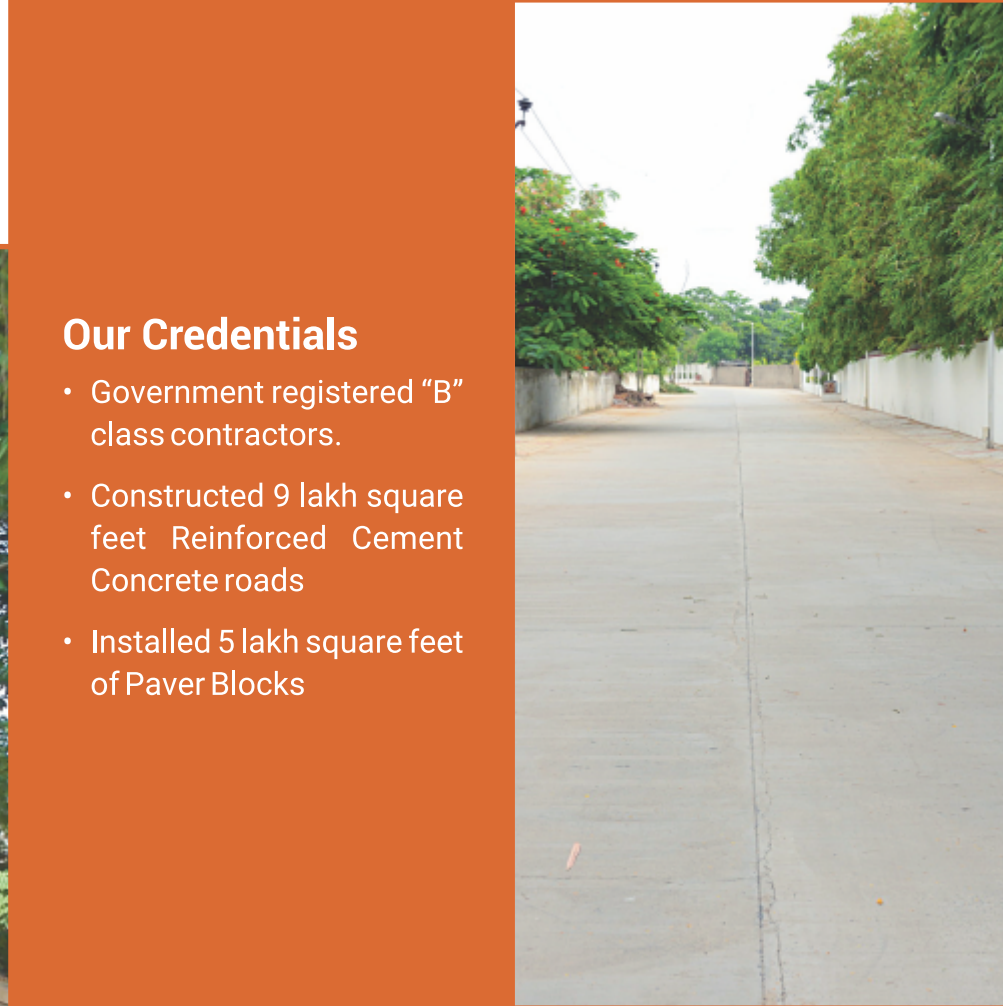
Accelerating Infrastructure Across India

Government Projects

Keeping today's infrastructure dynamics in mind, we provide expertise in construction and infrastructure development which is innovative, sustainable and long lasting.

Infrastructure Projects

With high technical, material and construction proficiency, we build reinforced cement concrete roads (RCC Roads). Whether it is roads development in city or in housing societies, we cater to all. We also undertake projects of supplying and laying of rubber moulded paver blocks on both sides of roads in and around societies.



Our Credentials

- Government registered "B" class contractors.
- Constructed 9 lakh square feet Reinforced Cement Concrete roads
- Installed 5 lakh square feet of Paver Blocks

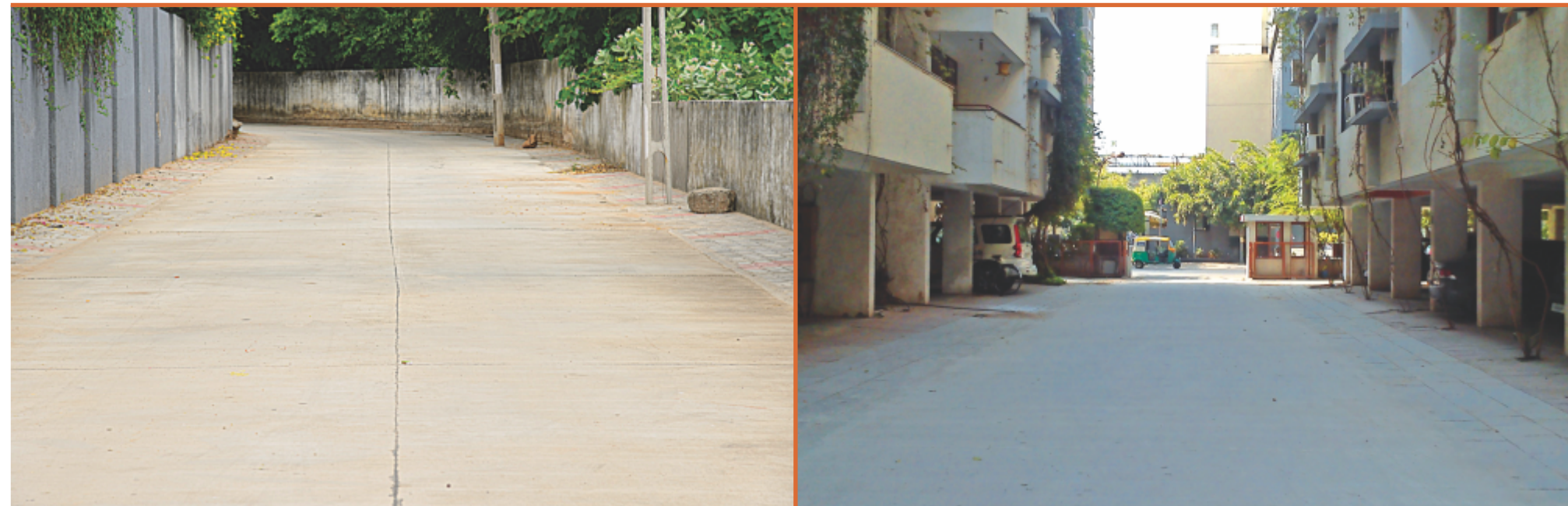
Work Completed

Sr. No.	Project Name	Client Name	Year Of Completion	Project Cost
1	Infrastructure development such as constructing reinforced cement concrete road and providing and laying 60 mm rubber moulded paver blocks in Kali Ward	Ahmedabad Municipal Corporation	2015	₹ 1,18,88,259
2	Constructing reinforced cement concrete road work at Shree Saraswati Darshan Co. Op. Hsg. Soc. Ltd. (Sentossa Park) Jodhpur Ward - Sentossa Park	Ahmedabad Municipal Corporation	2014	₹ 1,02,84,334
3	Infrastructure development such as constructing reinforced cement concrete road and providing and laying 60 mm rubber moulded paver blocks in Thaltej Ward	Ahmedabad Municipal Corporation	2014	₹ 1,23,03,144
4	Infrastructure development such as constructing reinforced cement concrete road and providing and laying 60 mm rubber moulded paver blocks in Chandkheda ward	Ahmedabad Municipal Corporation	2016	₹ 88,28,838
5	Infrastructure development such as constructing reinforced cement concrete road and providing and laying 60 mm rubber moulded paver blocks in Ranip Ward	Ahmedabad Municipal Corporation	2016	₹ 31,33,171
6	Infrastructure development such as constructing reinforced cement concrete road and providing and laying 60 mm rubber moulded paver blocks in Ghatlodia Ward	Ahmedabad Municipal Corporation	2016	₹ 81,78,283
7	Infrastructure development such as constructing reinforced cement concrete road and providing and laying 60 mm rubber moulded paver blocks in Kubernagar Ward	Ahmedabad Municipal Corporation	2016	₹ 87,41,756
8	Infrastructure development such as constructing reinforced cement concrete road and providing and laying 60 mm rubber moulded paver blocks in Nikol Ward	Ahmedabad Municipal Corporation	2017	₹ 1,33,95,137

9	Infrastructure development such as constructing reinforced cement concrete road and providing and laying 60 mm rubber moulded paver blocks in Navrangpura Ward	Ahmedabad Municipal Corporation	2017	₹ 8,68,830
10	Infrastructure development such as constructing reinforced cement concrete road and providing and laying 60 mm rubber moulded paver blocks in Saijpur Ward	Ahmedabad Municipal Corporation	2018	₹ 1,66,97,979
11	Infrastructure development such as constructing reinforced cement concrete road and providing and laying 60 mm rubber moulded paver blocks in Saraspur Ward	Ahmedabad Municipal Corporation	2019	₹ 1,27,27,405
12	Infrastructure development such as constructing reinforced cement concrete road and providing and laying 60 mm rubber moulded paver blocks in BRTS	Ahmedabad Municipal Corporation	2019	₹ 71,93,588
13	Infrastructure development such as constructing reinforced cement concrete road and providing and laying 60 mm rubber moulded paver blocks in Naroda Ward	Ahmedabad Municipal Corporation	2019	₹ 1,14,58,969
TOTAL WORK COMPLETED				₹ 12,56,99,693

Work on Hand

Sr. No.	Project Name	Client Name	Project Cost
1	Constructing reinforced cement concrete road and providing and laying rubber moulded paver blocks - Bapunagar Ward	Ahmedabad Municipal Corporation	₹ 80,91,174.57
2	Constructing reinforced cement concrete road and providing and laying rubber moulded paver blocks - Rakhiyal Ward	Ahmedabad Municipal Corporation	₹ 89,51,609.64
3	Constructing reinforced cement concrete road and providing and laying rubber moulded paver blocks - Isanpur Ward	Ahmedabad Municipal Corporation	₹ 1,04,58,255.22
4	Constructing reinforced cement concrete road and providing and laying rubber moulded paver blocks - Bodakdev Ward	Ahmedabad Municipal Corporation	₹ 92,61,664.71
5	Constructing reinforced cement concrete road and providing and laying rubber moulded paver blocks - Ranip Ward	Ahmedabad Municipal Corporation	₹ 1,11,72,100
6	Constructing reinforced cement concrete road and providing and laying rubber moulded paver blocks - Kubernagar Ward	Ahmedabad Municipal Corporation	₹ 1,14,62,073.66
7	Constructing reinforced cement concrete road and providing and laying rubber moulded paver blocks - Jodhpur Ward	Ahmedabad Municipal Corporation	₹ 1,14,15,280.197
8	Constructing reinforced cement concrete road and providing and laying rubber moulded paver blocks - Thakkarnagar Ward	Ahmedabad Municipal Corporation	₹ 87,47,694.82
9	Constructing reinforced cement concrete road and providing and laying rubber moulded paver blocks - Gota Ward	Ahmedabad Municipal Corporation	₹ 1,63,48,077
10	Constructing reinforced cement concrete road and providing and laying rubber moulded paver blocks - Maktampura Ward	Ahmedabad Municipal Corporation	₹ 1,30,89,696
TOTAL			₹ 10,89,97,625



Government Buildings

We have been consistently assisting government in creating a robust infrastructure across the state. Besides timely completion of construction work, we make sure the work is of par excellence and is sustainable. We have undertaken construction work for zonal offices of Ahmedabad Municipal Corporation right from civil construction to electrical works.

Work Completed

Sr. No.	Project Name	Client Name	Project Cost	Year of Completion
1	Vertical extension of ward office building in Naranpura Ward, West Zone, Ahmedabad	Ahmedabad Municipal Corporation - West Zone	₹ 54,03,107.52	2018
2	Vertical extension of ward office building in Sabarmati Ward, West Zone, Ahmedabad	Ahmedabad Municipal Corporation - West Zone	₹ 46,77,413.40	2018
TOTAL			₹ 1,04,52,756.1	

Work on Hand

Sr. No.	Project Name	Client Name	Project Cost
1	Augmentation work of U/G sump and compound wall at Isanpur Water distribution station in Isanpur Ward in South Zone - Ahmedabad Municipal Corporation	Ahmedabad Municipal Corporation Engineering, Water Project	₹ 53,43,666.12
2	Construction of RCC Road, Interlocking block & repairing and renovation of different structures of RASKA water treatment plant under water project	Ahmedabad Municipal Corporation Engineering, Water Project	₹ 1,71,28,841.33
TOTAL			₹ 2,24,72,507.45



Private Projects

We are also gaining a strong hold on private projects as our customers show trust in our quality & expertise.



Work Completed

Sr. No.	Project Name	Project Detail	Built up Area	Project Cost
1	Tirupati Aakruti Greenz, S. G.Highway, Ahmedabad	Civil construction work for two blocks (G + 11 storeys)	1,25,000 Sq. Metres	₹ 5,30,90,000
TOTAL				₹ 5,30,90,000

Industrial Projects

With an experience of almost a decade, we have undertaken construction and infrastructure development work for industrial projects.



Work Completed

Sr. No.	Project Name	Project Detail	Client Name	Project Cost
1	Anklesh Textile Park, Arvind Ltd., Santej	Infrastructure and general development reinforced cement concrete road, paver blocks, compound wall, plinth protection work and building construction works	Arvind Ltd.	₹ 1,20,50,900
TOTAL				₹ 1,20,50,900



Empowering Your Business

Machineries on Rent

At Adishwar, we provide state-of-the-art machineries for projects of varied scales. We have the best technical know how and accredited machineries for upscaling your construction work. Our machines adhere to industrial safety norms.

Ready Mix Concrete Plant

We provide entire Ready Mix Concrete Plant on rent basis through which you can fulfil your construction and development requirements.

Concrete Pump

A concrete pump is a tool for conveying liquid concrete.

Transit Mixer

Transit mixer is a piece of equipment that is used for transporting concrete / mortar or ready mix material from a concrete batching plant directly to the site where it is to be utilised.

Tipplers

Tipplers are suited for the rough and tumble of mining & quarrying operations, as well as for carrying bulk loads in construction and infrastructure industries.

Cement Bulkers

Cement Bulker is mainly used to transport and convey loose cement in bulk. Offered capacities are available as per customer's requirement.

Our Esteemed Clients



Tirupati Sarjan Ltd.



Ahmedabad Municipal Corporation



Aroma Realities Ltd.



Aristo Builders



Arvind Ltd.



Avirat Infrastructure Pvt. Ltd.



Bhagyashree Construction



B Desai Group



B.N.Precast Pvt. Ltd.



Cloud 9 Infraspace LLP



Suvudhi Projects LLP



Empire Doctor House



Fortune Developers



Gala Project LLP



Gift City



Yashanand Engineers & Contractors



Shayona Land Corporation (C/o Shayona Peak)



Katira Construction



Krish Projects



Mahavir Infraspace Pvt. Ltd.



Malani Construction



Mirambica Infrastructure Pvt. Ltd.



MHS Infrastructure Pvt. Ltd.



M/s. R N Dobariya



Sahjanand Group



Nirma University



Aarya Precast India Pvt. Ltd.



Ratnamani Healthcare Pvt. Ltd.



Ravi Construction



Sangani Infrastructure Pvt. Ltd.



Sanklap Infra Buildcon



Shree Balaji Group



Shree Infra Project



Shaligram Group



Swati Buildcon



Addor Group



Tulsi Developers



United Engineers & Developers



Venus Infrastructure & Developers Pvt. Ltd.



Vraj Construction

and many more.





REGISTERED OFFICE

405/406, Santorini Square, Besides Abhishree Complex,
Prernatirth Derasar Road, Satellite, Ahmedabad - 380015, India.
T: 079 48920043, 85111 65300, 85111 65301
E: info@adishwarinfrastructure.com
W: www.adishwarinfrastructure.com

READY MIX CONCRETE PLANT

Survey No. 267, Ognaj, Behind SGVP, S.G. Highway, Ahmedabad - 380060.

PRECAST PLANT (CONCRETE PRODUCTS)

Survey No. 266, Ognaj, Behind SGVP, S.G. Highway, Ahmedabad - 380060.